

PATENT ABSTRACTS OF JAPAN

(11)Publication number : 01-231755

(43)Date of publication of application : 18.09.1989

(51)Int.Cl.

B65H 31/02

B65H 43/06

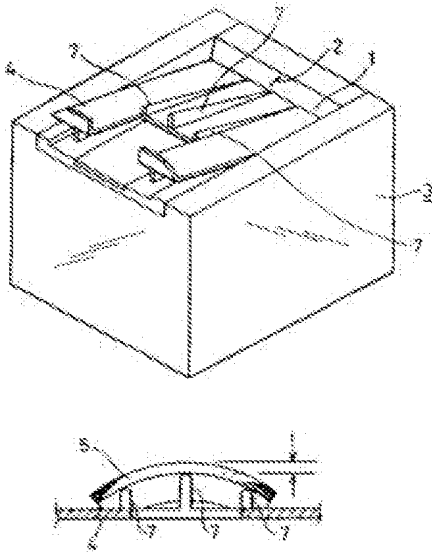
(21)Application number : 63-054144

(71)Applicant : FUJI XEROX CO LTD

(22)Date of filing : 08.03.1988

(72)Inventor : NAGASHIMA ATSUSHI

(54) DEVICE FOR DETECTING NUMBER OF SHEET OF DISCHARGED PAPER



(57)Abstract:

PURPOSE: To accurately detect the number of sheets by providing a sensor on the upper portion of a paper discharging portion on the extension of the highest rib among a plurality of ribs with different heights provided on a discharge tray and correcting the curl or wave of a sheet of paper without need for using a roller.

CONSTITUTION: Three ribs 7 are provided on top of a discharge tray 4 along a discharging direction with the center rib 7 being the highest while both side ribs 7 lower than this. An actuator 2 for detecting the number of discharged sheets of paper is provided on the upper portion of the paper discharging portion 1 of a machine 3 on the extension of the center rib 7. Thereby, a sheet of paper 5 discharged out of the discharging portion 1 onto the tray 4 is curved by the ribs 7 and the highest portion thereof is detected by the actuator 2. Thus, the sheet of paper is carved in such a

way that the center portion is the highest while both sides being lower by means of the three ribs 7 on the tray 4 and its own weight and the actuator detects the highest place thereof. The detection of the sheets of paper can be accurately carried out even when there are many curls or waves being formed.